



Product ref: BLVD

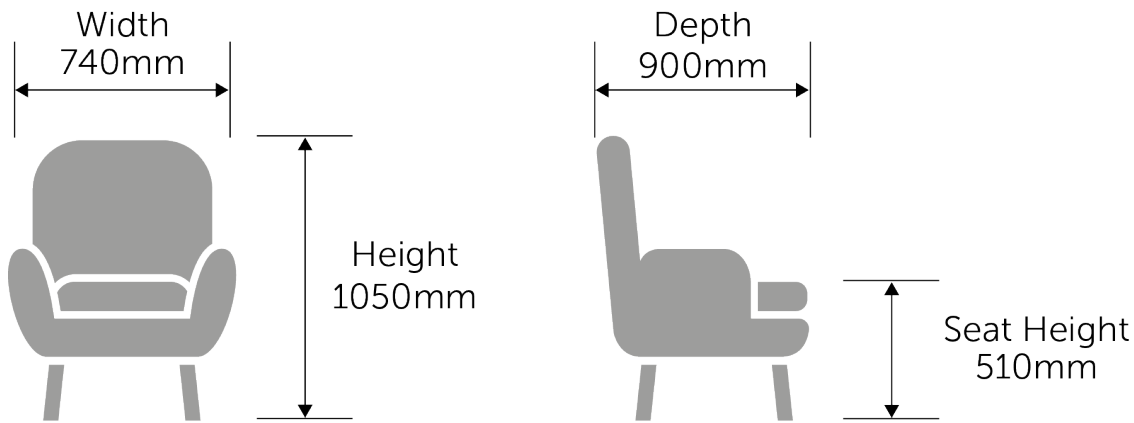
## VANCOUVER Queen Chair - Dementia Friendly

From: £319

Quantity	Price
1 - 9	£347
10 - 19	£332
20 -	£319

### Description

The Vancouver Queen chair has been designed specifically to help residents of care and nursing homes suffering with **dementia**. The specially **curved back** allows for neck and head support, without obscuring the view in the way a traditional wing chair might. This also has the added benefit of helping to protect from injury such as sores and abrasions. The **hygiene platform** prevents spillages from sinking into the frame and inner areas of the chair, while the range of convenient and practical upholstery provides an easily cleanable, water resistant and anti-microbial hygienic finish. There are a number of bright colours as well as the option of contrasting piping to help residents identify the chair too. Having had co-operation with Stirling University, the chair was displayed in their Dementia Technology suite. Built to last, the rear leg forms one piece from the floor to the top of the back and comes with our **5 year guarantee**. Dimensions: 740mm (w) x 900mm (d) x 1050mm (h)



**Url:** <https://www.alpha-furnishing.com/product/vancouver-queen-chair-dementia-friendly/>

### Additional information

**Length:** 740mm  
**Height:** 1050mm

### Optional Extras

**General Options:** Antique Cream Piping(+£14)